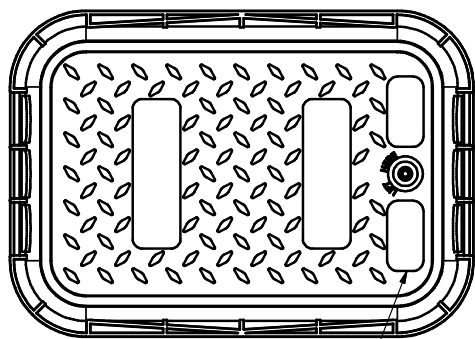
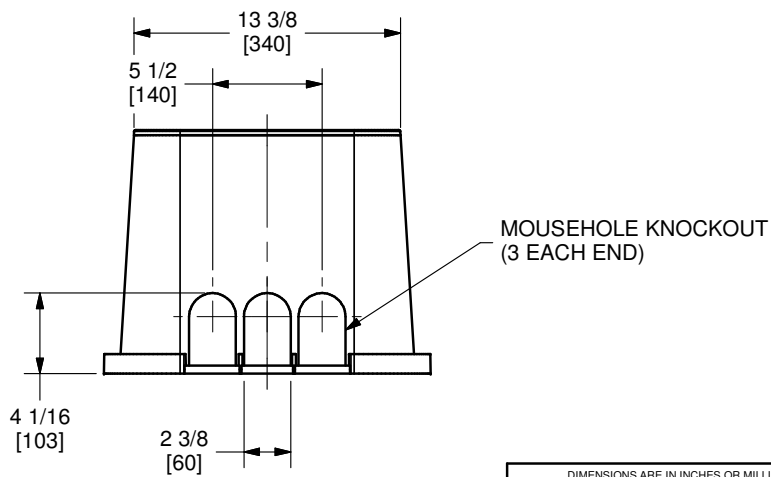
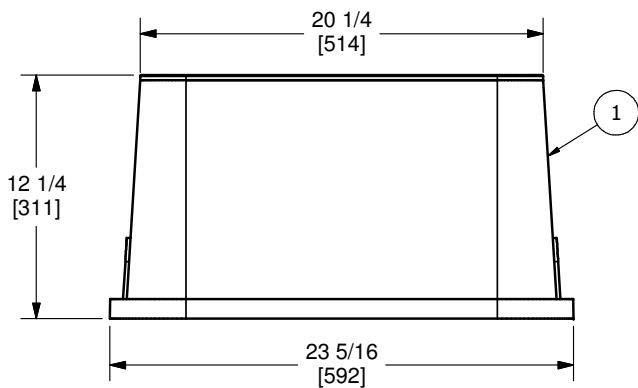



PARTS LIST					
ITEM	CATEGORY	PART NUMBER	DESCRIPTION	QTY	BASE UNIT
1	L	PE1118GSI01	PENCELL BOX	1	Each
2	L	PE1118PLI00	PENCELL COVER	1	Each



2



DIMENSIONS ARE IN INCHES OR MILLIMETERS IN BRACKETS UNLESS OTHERWISE NOTED.					
BY	DATE	WEIGHT	 3821 INDUSTRIAL PARK DR LENOIR CITY, TN 37771 800-346-3062 www.quazite.com	LOC	
DRN	JTP	10/24/18		LC	
CHK		SCALE	DRAWING DESCRIPTION	REV	
ENG		NTS		A	
APR		SIZE		10/18	
APR		B	PENCELL® ASSEMBLY		
ESR #	121939				
			SHEET 1 OF 1	DRAWING NUMBER	
				PE1118HD000	